



South Bay Foundry

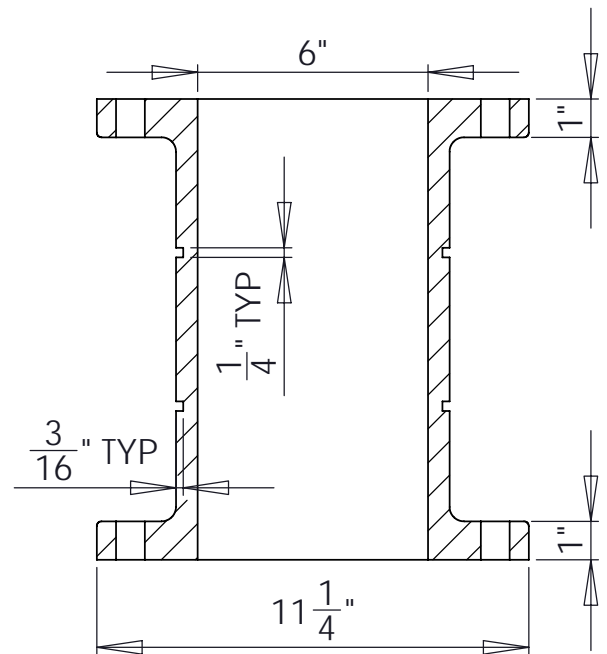
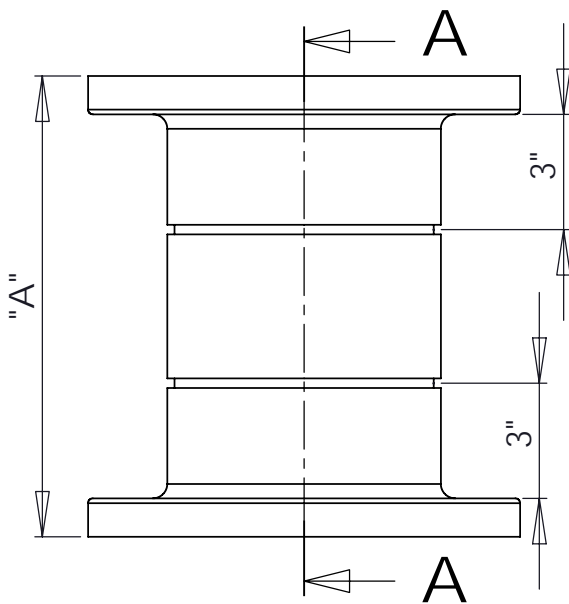
WWW.SOUTHBAYFOUNDRY.COM

PHONE: (619) 956-2780 FAX: (619) 956-2788

FIRE HYDRANT EXT

12IN OR LONGER
CAST IRON
HELIX WATER

SIZE x "A"	WEIGHT
6 x 12	70 LB
6 x 14	74 LB
6 x 16	82 LB
6 x 18	88 LB
6 x 20	94 LB
6 x 22	101 LB
6 x 24	106 LB
6 x 26	110 LB
6 x 28	118 LB
6 x 30	124 LB
6 x 36	142 LB



SECTION A-A

GENERAL INFORMATION

- *MATERIALS MADE IN ACCORDANCE WITH AWWA STANDARD C110
- *CEMENT LINED UNLESS OTHERWISE REQUIRED
- *CEMENT LINING CONFORMS TO AWWA SPECIFICATION C104
- *FLANGES AVAILABLE DRILLED: 6 HOLE, 7/8"; 6 HOLE, 3/4"; 8 HOLE, 7/8"; OTHER AS REQUIRED

APPROVED

BY:

TITLE:

AGENCY:

DATE: